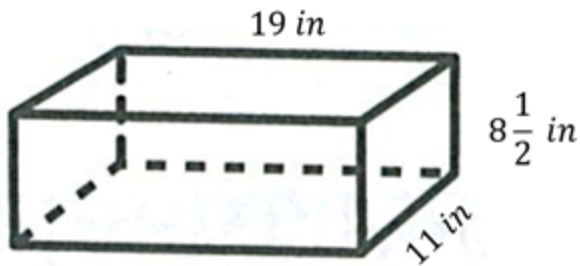


Name \_\_\_\_\_ Date \_\_\_\_\_

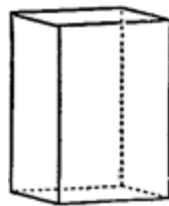
1. Consider this figure.



Enter the volume, in cubic inches, of the right rectangular prism.

2. Consider this figure.

Height =  $11\frac{1}{2}$  meters

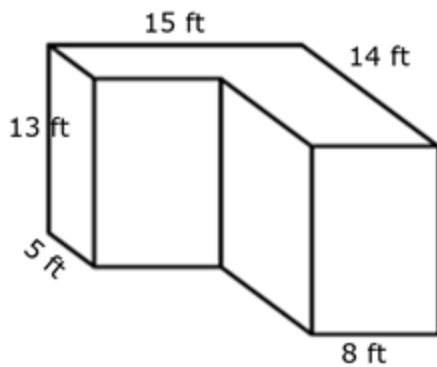


24 square meters

Enter the volume, in cubic meters, of the right rectangular prism.

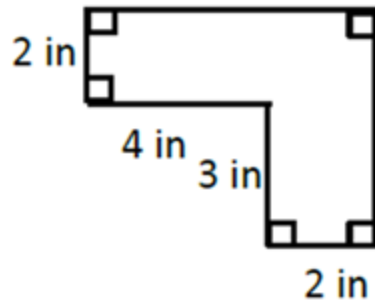
3. This figure was created by joining two right rectangular prisms.

Enter the volume, in cubic feet, of the figure.



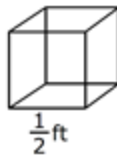
Name \_\_\_\_\_ Date \_\_\_\_\_

4. A shape is shown.



What is the area, in square inches, of the shape?

5. Shawn has 48 cubes like the one shown.



She uses all the cubes to fill a box shaped like a larger rectangular prism. There are no gaps between the cubes.

What is the volume, in cubic feet, of the larger rectangular prism?

